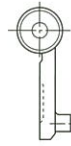
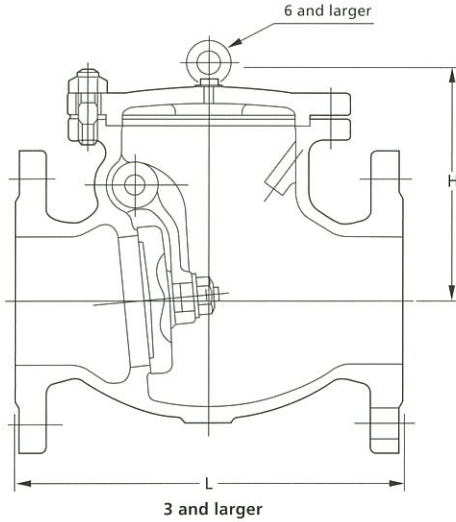


10UOA(T)

10UOAM(T)



Disc type 2 1/2 and smaller

Materials

Parts	10UOA(T)*	10UOAM(T)*
Body	SCS13A	SCS14A
Cover	SCS13A	SCS14A
Disc	SCS13A	SCS14A
Disc nutH	SUS304	SUS316
Gasket	Refer to Page 6	
Hinge pin	SUS304	SUS316
Plug	SUS304	SUS316
Arm	SCS13A	SCS14A
WasherH	SUS316, SUS316L (3-6)	
Cover bolt/nut	SUS304/304	
Split pinH	SUS316L	

\*(T) Suffixing stands for the provision of ceramic filled PTFE gaskets.

\*For size 3 and larger.

Note: Body seats and/or disc seats can be optionally hard-faced.



Items	
Face-to-Face Dimensions	ASME B16.10
End Flange Dimensions	JIS B2220
Wall Thickness	ASME B16.34 Class 150

Nominal Size	1 1/2	2	2 1/2	3	4	5	6	8	10	12	14	16	18	20	24	
	40	50	65	80	100	125	150	200	250	300	350	400	450	500	600	
L	in.	6.50	8.00	8.50	9.50	11.50	13.00	14.00	19.50	24.50	27.50	31.00	34.00	38.50	38.50	51.00
	mm	165	203	216	241	292	330	356	495	622	698	787	864	978	978	1295
H	in.	4.2	4.7	5.3	5.8	6.7	7.5	8.4	9.96	11.0	12.3	14.3	16.0	18.7	19.9	23.4
	mm	107	120	135	147	169	190	213	253	279	312	364	407	475	505	595