

# 10K Globe Valve

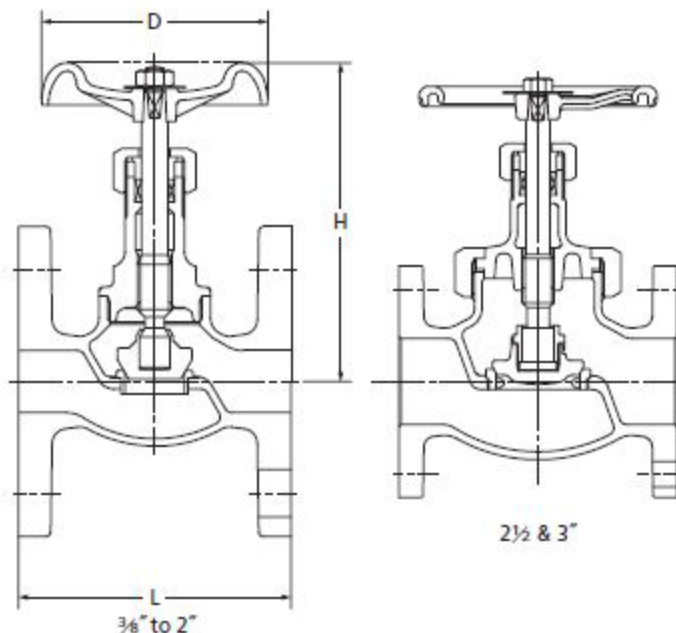
**10SJBF**

S.B.I.S. or U.B.I.S.

FF-flanged



S.B.I.S. for 2" & smaller  
U.B.I.S. for 2½" & 3"



F-F dimension : JIS B 2011\*  
End flanges : JIS B 2239 10K  
\*KITZ Std. for 3/8"

120°C Static water..... 1.37MPa  
220°C Steam, air, gas, oil..... 0.98MPa

●Use for lubricating or hydraulic oil is acceptable. Contact KITZ Corporation for technical advice, if valves are used as heat transfer media.

## Materials

Parts	JIS material
Body	FCD-S
Bonnet	FCD-S
Stem	SUS 420J2
Disc	SUS 403
Body seat ring	SUS 403 (2½" & 3" : SCS 1)
Gland	SUS 403 (3/8" ~ 3/4" : SUS 420J2)
Gland packing	Asbestos-free
Packing nut	FCD-S
Handwheel	FCD 450 (2½" & 3" : FCD 400)
Wheel nut	SS 400
Gasket	Asbestos-free
Bonnet ring	FCD-S
Name plate	A1050P

## Dimensions

Size	mm									
	mm inch	10	15	20	25	32	40	50	65	80
L		85	85	95	110	130	150	180	210	240
H (open)		108	122	125	146	160	180	198	250	280
D		60	70	80	90	100	115	135	180	225

NOTE : For flange dimensions refer to Page 40. ※RF-flanged ends shall be optionally available.