

GP-1000



GP-1000-1002



GP-1200



GP-1010



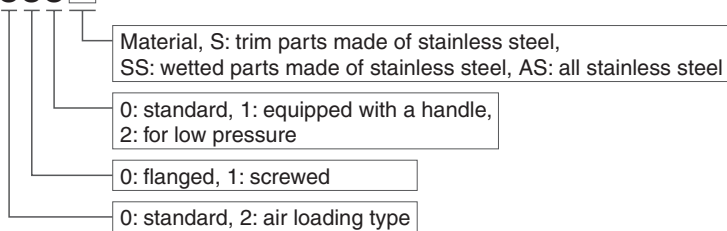
GP-1001

Features

1. Significantly improved workability and durability compared with conventional pressure reducing valves.
2. Spherical main valve offers great sealability and great reduction of valve seat leakage (compliant with ANSI Class IV).
3. Compliant with SHASE-S106 Pressure Reducing Valves (by the Society of Heating, Air-Conditioning and Sanitary Engineers of Japan).
4. Simple and robust internal structure.

Description of GP-1000 Series model code

GP-1000



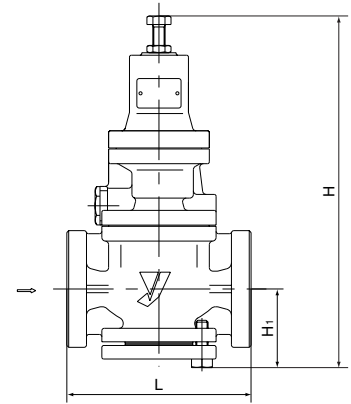
Specifications

Model	GP-1000-1001	GP-1002	GP-1010	GP-1200	GP-1210
Application	Steam				
Inlet pressure	0.1-1.0 MPa	0.1-0.5 MPa	0.1-1.0 MPa		
Reduced pressure	0.05-0.9 MPa	0.03-0.15 MPa	0.05-0.9 MPa		
	90% or less of inlet pressure (gauge pressure)				
Minimum differential pressure	0.05 MPa				
Maximum pressure reduction ratio	20:1				
Maximum temperature	220°C				
Valve seat leakage	0.01% or less of rated flow				
Material	Body	Ductile cast iron			
	Valve, valve seat	Stainless steel			
	Piston, cylinder	Brass or bronze			
Connection	JIS 10K FF flanged		JIS Rc screwed	JIS 10K FF flanged	JIS Rc screwed

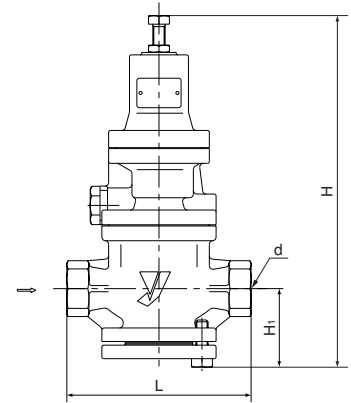
• Available with trim parts (piston and cylinder) made of stainless steel (GP-□□□□S).

Dimensions (mm) and Weights (kg)
●GP-1000•1002

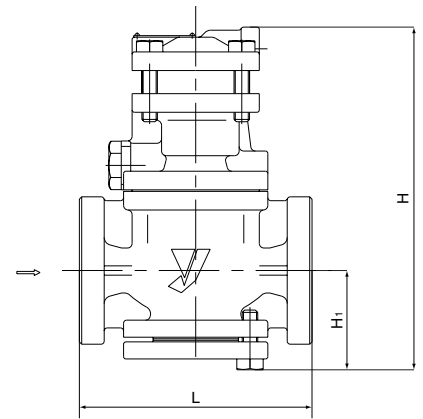
Nominal size	L	H ₁	H	Weight
15A	150	64	285	8.0
20A	155	64	285	8.5
25A	160	67	300	10.0
32A	190	82	323	14.0
40A	190	82	323	14.5
50A	220	93	347	20.0
65A	245	100	357	30.0
80A	290	122	404	35.0
100A	330	144	450	52.5


●GP-1010

Nominal size	d	L	H ₁	H	Weight
15A	Rc 1/2	150	64	285	7.0
20A	Rc 3/4	155	64	285	7.0
25A	Rc 1	160	67	300	8.5
32A	Rc 1-1/4	190	82	323	12.0
40A	Rc 1-1/2	190	82	323	12.5
50A	Rc 2	220	93	347	18.0


●GP-1200

Nominal size	L	H ₁	H	Weight
15A	150	64	220	8.0
20A	155	64	220	8.5
25A	160	67	235	10.0
32A	190	82	258	14.0
40A	190	82	258	14.5
50A	220	93	282	20.0
65A	245	100	292	30.0
80A	290	122	339	35.0
100A	330	144	385	52.5


●GP-1210

Nominal size	d	L	H ₁	H	Weight
15A	Rc 1/2	150	64	220	7.0
20A	Rc 3/4	155	64	220	7.0
25A	Rc 1	160	67	235	8.5
32A	Rc 1-1/4	190	82	258	12.0
40A	Rc 1-1/2	190	82	258	12.5
50A	Rc 2	220	93	282	18.0

