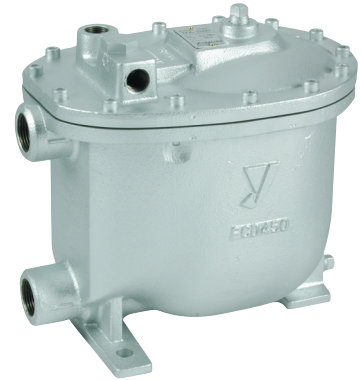


TFA-2000

Features

1. Function as a float trap with a built-in pump trap ensures reliable operation in all pressure ranges from positive to negative values.
2. Specially designed for condensate pumping at low pressure of small heat exchange systems such as heat exchangers and air handling units.
3. Easy maintenance without dismantling the trap from the piping. All main parts are set on the cover part.



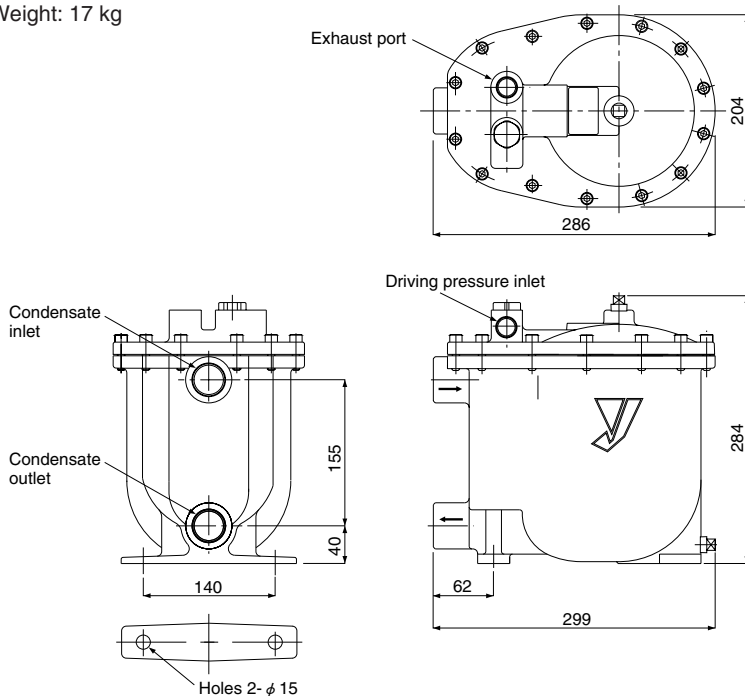
Specifications

Nominal size	25A	
Application	Steam condensate	
Driving fluid	Steam	
Max. pressure	0.5 MPa	
Driving pressure	0.03-0.5 MPa	
Working differential pressure	(Back pressure + 0.03 MPa) to 0.5 MPa	
Max. temperature	160°C	
Material	Body	Ductile cast iron
	Trim parts	Stainless steel
	Float	Stainless steel
Connection	JIS Rc screwed	
Check valve at inlet side	Built in (Swing type)	
Check valve at outlet side	Available (Use SCV-2, 25A)	

Dimensions (mm) and Weights (kg)

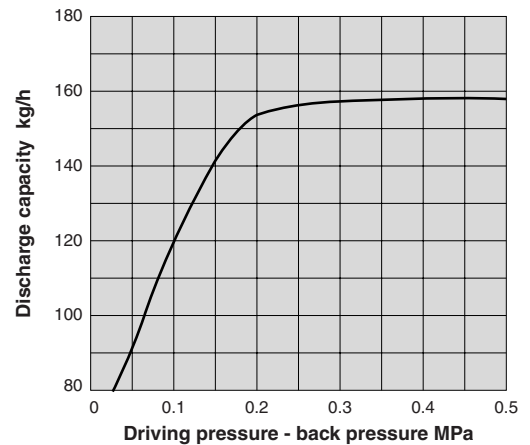
Condensate inlet	Condensate outlet	Driving pressure inlet	Exhaust port
Rc 1	Rc 1	Rc 1/2	Rc 1

Weight: 17 kg



Assist Capacity (Pump Capacity)

The assist capacity depends on the inflow height of condensate. Multiply the inflow height by the appropriate corrected coefficient shown in the table below.



• Corrected Coefficient for Assist

Inflow height (mm)	Corrected coefficient
250	0.65
300	1.0
400	1.1
500	1.75

Steam Trap Capacity

