

KBFV-1S

■ Features

1. KBFV-1S is a pneumatic butterfly valve with stainless steel body.
2. Double-eccentric structure provides excellent sealing and long service life.
3. The pneumatic actuator can be connected to accessories easily by NAMUR dimensions.

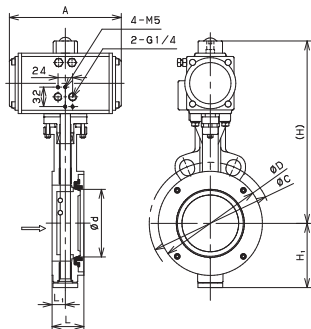
■ Specifications

Model		KBFV-1S
Nominal size		50 - 150A
Application fluid		Steam, air, water, oil and other non-dangerous fluids
Maximum pressure Maximum temperature		According to the pressure-temperature rating
Material	Body	Stainless steel
	Disc	Stainless steel
	Seat	PTFE
Operating fluid		Air, nitrogen gas
Operating pressure		0.4 – 0.8MPa
Ambient temperature		-20 to 80°C
Operation		Double action, 90°



■ Dimensions (mm) and Weight (kg)

Nominal size	d	L	L1	H	H1	D	A	C			Weight (kg)
								JIS 10K	EN PN16	ANSI 150	
50A	50	43	18	257	72	96	184	120	125	120.5	6
65A	59	49	22	272	80	119	184	140	145	139.5	7
80A	72	49	22	291	87	128	210	150	160	152.5	8
100A	96	54	23	314	102	158	262	175	180	190.5	11.5
125A	120	56	24	348	120	186	268	210	210	216	15
150A	142	56	24	392	132	216	301	240	240	241.5	20.5



■ Pressure Temperature Rating

