

SY-8,38

Y type

Basket

Duplex

Temporary

Stainless steel

Nylon

Carbon steel

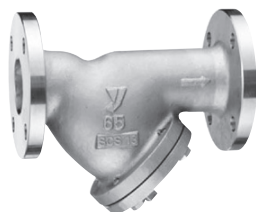
Easy plug

Pipe end core

One-touch

With fine mesh

Davit



65A-150A



15A-50A

■Features

1. Cast stainless steel body is rust-less, available for a wide variety of applications such as food, chemical industries, and oil.
2. High-flow-rate marine type with the largest possible filtration area in view of decrease in flow rate caused by clogging.
3. SY-38 is available with 120-200 mesh.

■Specifications

Model		SY-8	SY-38 (strainer with fine mesh)
Application		Steam, Air, Cold and hot water, Oil, Other non-dangerous fluids	
Maximum pressure		1.0 MPa	
Maximum temperature		150°C (250°C) *	
Material	Body	Cast stainless steel	
	Screen	Stainless steel	
Screen	Perforation	15A to 100A = ϕ 2.5-7.21 holes/cm ² 125A to 150A = ϕ 6-2.05 holes/cm ²	15A to 100A = ϕ 2.5-7.21 holes/cm ² 125A to 150A = ϕ 6-1.80 holes/cm ²
	Mesh	Standard 80 mesh	120 to 200 mesh
Gasket		PTFE *	
Connection		JIS 10K FF flanged	

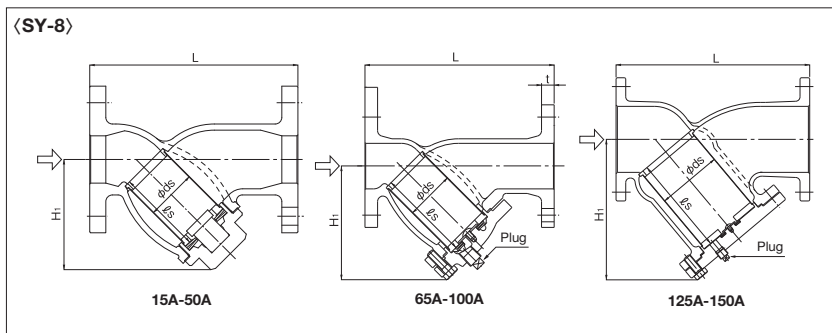
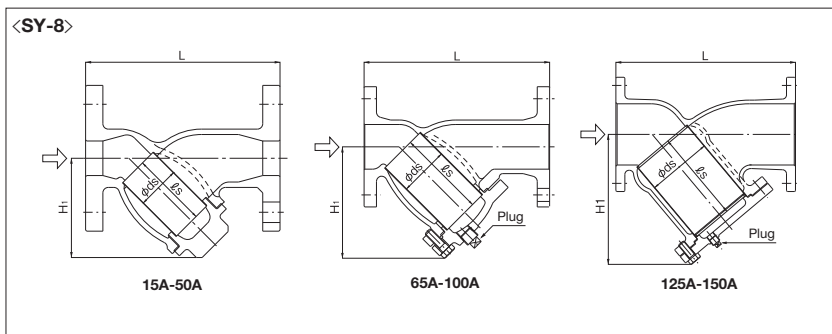
* If the temperature is over 150°C, another material is used for the gasket. Please contact us.

- Available with JIS 20K flanged (up to 50A).
- Available with 20 to 100 mesh screen (SY-8).
- The screen for SY-38, it has become the special specification called screen (P) to prevent the gap between the screen and the body.
- The gasket is PTFE up to 150°C.
SY-8: 15A-50A (Max Temp: 250°C)
SY-38: 15A-40A (Max Temp: 250°C), 50A (Max Temp: 175°C)

■ Dimensions (mm) and Weights (kg)

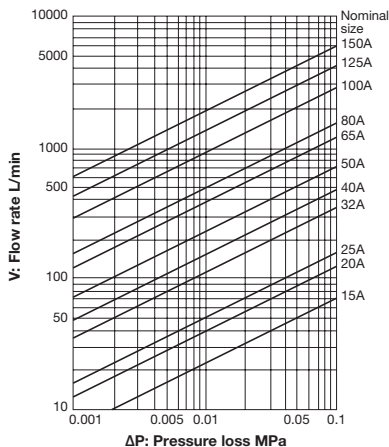
Nominal size	L	H _i	ds	ℓs	Plug	Weight
15A	125	54	20 (18)	35	-	1.8 (1.8)
20A	140	68	25 (23)	50	-	2.4 (2.4)
25A	160	81	32 (30)	60	-	3.7 (3.8)
32A	180	92	40 (38)	70	-	4.2 (4.2)
40A	190	104	45 (43)	75	-	5.9 (6.1)
50A	220	117	56 (54)	90	-	8.1 (8.3)
65A	270	162	73 (70)	125 (132)	R 1/2	13.2 (13.7)
80A	290	185	88 (85)	130 (134)	R 1/2	17.2 (18.0)
100A	350	222	108 (105)	180 (187)	R 1/2	26.0 (27.0)
125A	390	280	140 (137)	200 (207)	R 1/2	34.0 (40.0)
150A	440	318 (319)	160 (147)	225	R 1/2	60.0 (64.0)

· The values in parentheses are the dimensions and weights of the SY-38.



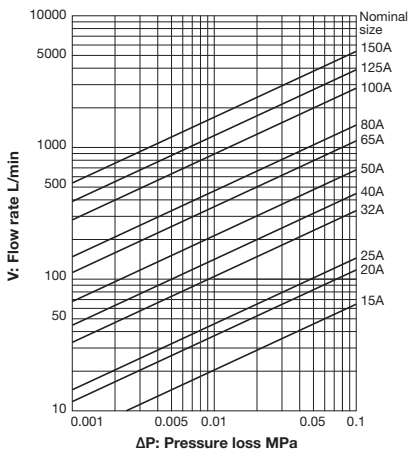
■SY-8 Strainer Pressure Loss Chart (For Water)

- Screen: 15A to 100A: Perforation = ϕ 2.5-7.21 holes/cm², Mesh = 80 mesh
- 125A and 150A: Perforation = ϕ 6-2.05 holes/cm², Mesh = 80 mesh



■SY-38 Strainer Pressure Loss Chart (For Water)

- Screen: 15A to 100A: Perforation = ϕ 2.5-7.21 holes/cm², Mesh = 120 mesh
- 125A and 150A: Perforation = ϕ 6-1.80 holes/cm², Mesh = 120 mesh



Please refer to P.4-12 for the information about how to look the chart, and calculating example.